

Issue Date: 10/11/2012

Page: 1 of 2

File: PSS-276BWP

15/25kV	200A Loadbreak Bushing Well Plug	w/o Ground	276BWP
---------	----------------------------------	------------	--------



Features:

- 15/25kV, Rated
- Molded EPDM Rubber
- Provision for hotstick operation
- Securely insulates and “dead-ends” bushing well

276BWP Loadbreak Bushing Well Plug

Applications:

The Elastimold® 276BWP bushing well plug is a fully shielded, fully submersible, insulating plug designed for de-energized operation. It is suitable for use on 15/25kV class bushing wells to “dead-end” the transformer or switchgear for testing purposes.

Ratings:

Meets ANSI/IEEE Standard 386, Latest Revision

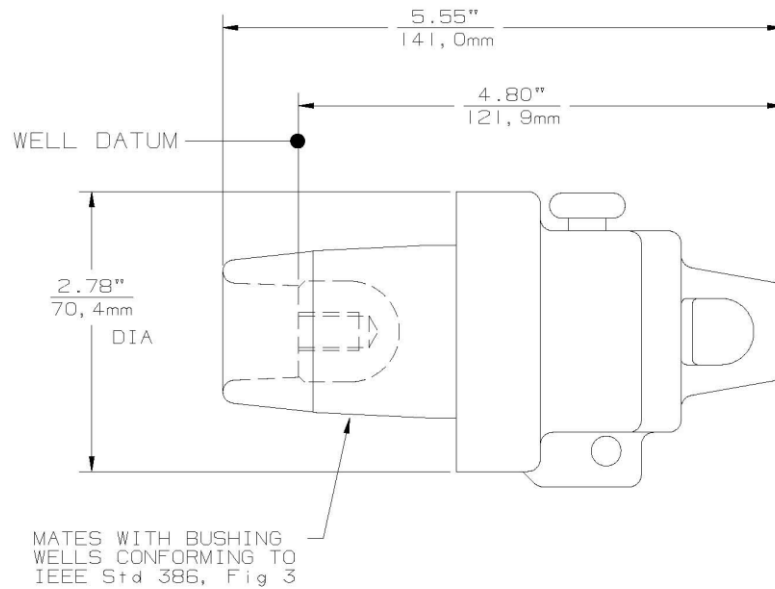
For 15kV Voltage Class:

8.3kV Max Phase-to-Ground – Operating Voltage
 14.4kV Max Phase-to-Phase
 95kV BIL – Impulse Withstand (1.2 x 50 microsecond wave)
 34kV AC – One minute withstand
 53kV DC – 15 minutes withstand
 11kV AC – Corona Extinction @ 3pC sensitivity
 200 Amp – Continuous
 10kA Sym – 10 Cycles Momentary & Fault Close

For 25kV Voltage Class:

15.2kV Max Phase-to-Ground – Operating Voltage
 26.3kV Max Phase-to-Phase
 125kV BIL – Impulse Withstand (1.2 x 50 microsecond wave)
 40kV AC – One minute withstand
 78kV DC – 15 minutes withstand
 19kV AC – Corona Extinction @ 3pC sensitivity
 200 Amp – Continuous
 10kA Sym – 10 Cycles Momentary & Fault Close

15/25kV	200A Loadbreak Bushing Well Plug	w/o Ground	276BWP
---------	----------------------------------	------------	--------



Ordering Instructions:

To order, specify number **276BWP** bushing well plug.

Each kit contains the following:

- | | | |
|---|--------------------------|---------|
| 1 | Bushing Well Plug | 276BWP |
| 1 | Lubricant | 82-08 |
| 1 | Installation Instruction | IS-0286 |